

Series 8900 Gas Chromatograph

Multipurpose Gas Chromatograph

Monitor single or multiple gas components

Applications

- Well logging - Fast C1-C5
- Area monitoring of toxic gases for industrial hygiene and safety
 - Ethylene Oxide, Acrylonitrile, Butadiene, Styrene, Epichlorohydrin and many others
- Fenceline (perimeter) monitoring around industrial and remediation sites
 - BTEX and other VOC's
- Scrubber efficiency
 - Hydrocarbons and VOC's
- Carbon bed breakthrough detection
 - Solvents and organic compounds
- Quality Assurance Monitoring, contaminant analysis or blending of industrial gases
- Methane/Non-methane analysis

A list of over 200 detectable gases is available upon request

Features & Benefits

- Accurate & specific to a wide variety and range of gases
- Continuous unattended operation
- Operates with or without a computer
- Automatic calibration and baseline correction for long term stability
- Outputs include digital, user definable analog and user definable logic PC based SkyChrom™ software stores multiple analytical methods and chromatograms
- Multipoint sampling options
- Onboard short-term data storage



Online gas analysis over a broad range of concentrations

The Baseline® Series 8900 GC offers a variety of state of the art detector, calibration and gas train options providing the flexibility and precision necessary to analyze from sub-parts per billion (sub-ppb) to percent levels.

The 8900's automatic calibration is ideal for unattended operation. It can be set up on a bench-top or rack-mounted, and its compact size makes it transportable. There are a variety of industry standard outputs, such as network (LAN), RS232, multiple 4-20 mA or 0-20 mA, and multiple relays for concentration alarms, diagnostics or user specified timed events.

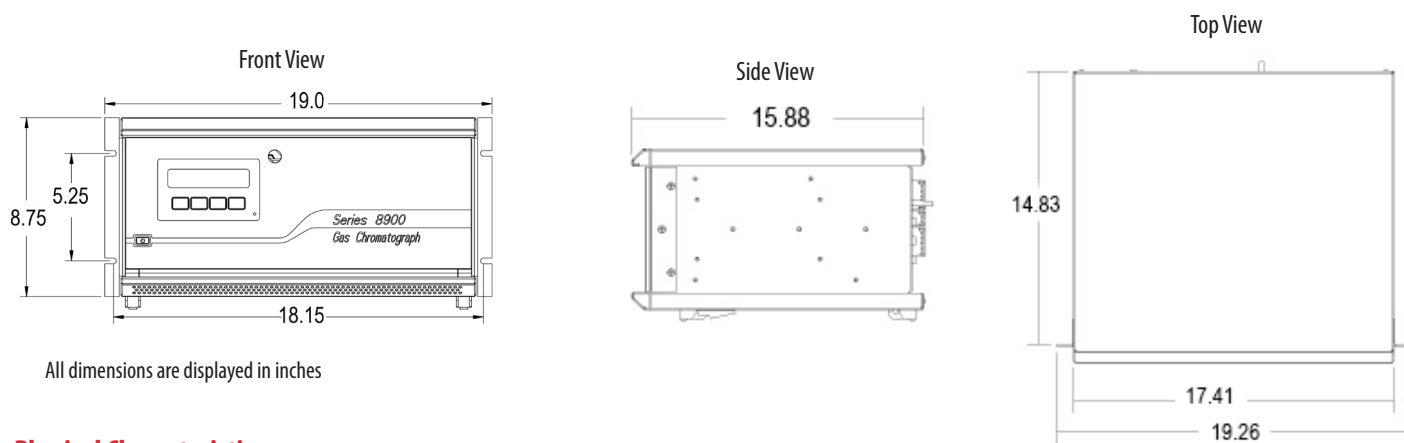
Gas chromatography applications are factory pre-configured to enable easy start up and operation. The computer can be disconnected and the analyzer will operate independently. When connected to SkyChrom™, data can be collected in a universal text format with a user definable data export utility for custom reports. Chromatograms can be stored continuously or based on events such as alarms.

Detector options include Photoionization Detector (PID), Flame Ionization Detector (FID) and Thermal Conductivity Detector (TCD).

Specifications

Series 8900 Gas Chromatograph

Detectors	Photoionization (PID) 10.6 eV or 11.7 eV High-sensitivity (PID) <50ppt Benzene Flame Ionization (FID) Thermal Conductivity (TCD) Consult Baseline for other options
Relay Outputs	Standard - 5 programmable (latched/not, NE/ NNE, NO/NC) as contact closure (1A @ 30Vdc)
Analog Outputs	Standard - 1 0-20mA or 4-20mA isolated
Digital Outputs	Standard - RS-232, LAN
Optional Outputs	Analog output board - up to 20 additional programmable 4-20 mA outputs Voltage outputs – 0-1 V, 0-5 V or 0-10 V (others on request) Relay board - up to 32 additional programmable relays
Inputs	Optional digital input board for 3 contact closure inputs. Supports start analysis, start calibration, and analyze calibration gas as sample
Display	Digital vacuum fluorescent, 20 characters x 2 lines
Software	SkyChrom™ external integration, GC setup and data acquisition software for PC
Columns	Packed or Capillary / application specific
Valves	Standard: (1) 10-Port valve (additional valves optional)
Detector	Single or dual detector
Sampling	Single point analyzer for pre-filtered (≤ 0.1 microns), non-condensing samples Internal 4, 8, 16 point sampling options (not available on an FID)
Samplers	Built-in or external sample pump Injection port (on sample loop) 8950 Multipoint Sampler (4/8/16 pt) w/ up to 16 analog outputs & 32 relays
Calibration	Automatic or Manual using a dedicated standard
Power	90 – 260 VAC, 50/60Hz



Physical Characteristics

Dimensions	3u, 17.41" (44.2cm) W x 9.36" (23.8 cm) D x 14.83" (37.7cm) H	Weight	30 lb (13.64 kg)
Configuration	Bench-top or rack-mount 19" (48.3cm) panel	Operating Temperature	32 - 104 °F (0 - 40 °C)
Connections	1/4" (6.35mm) tube fitting connectors or consult Baseline	Operating Humidity	0 - 95% (non-condensing)



P.O. Box 649, 19661 Highway 36 • Lyons, CO 80540

P: 1.800.321.4665 • 1.303.823.6661

F: 303.823.5151

E: info@baselineindustries.com

www.baselineinc.com